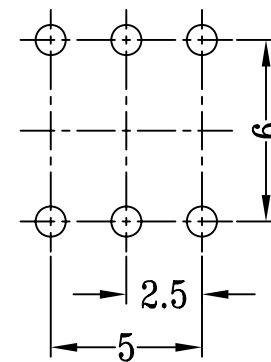
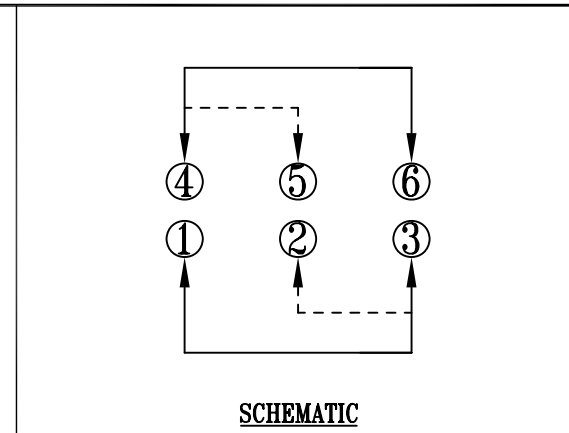
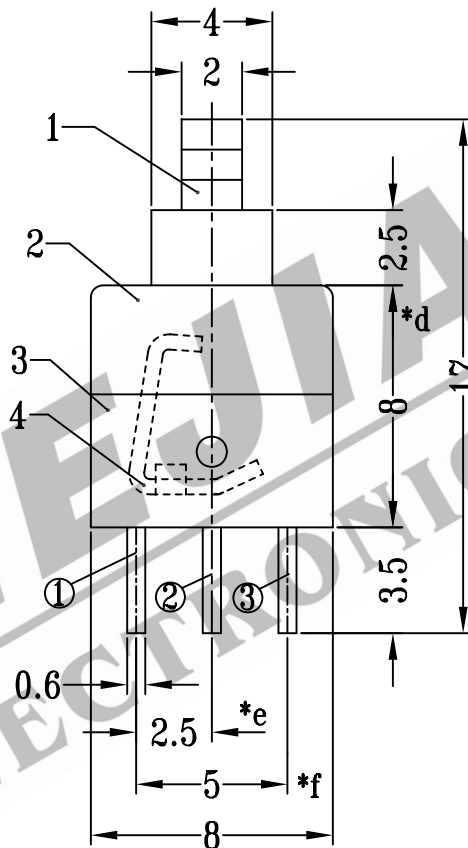
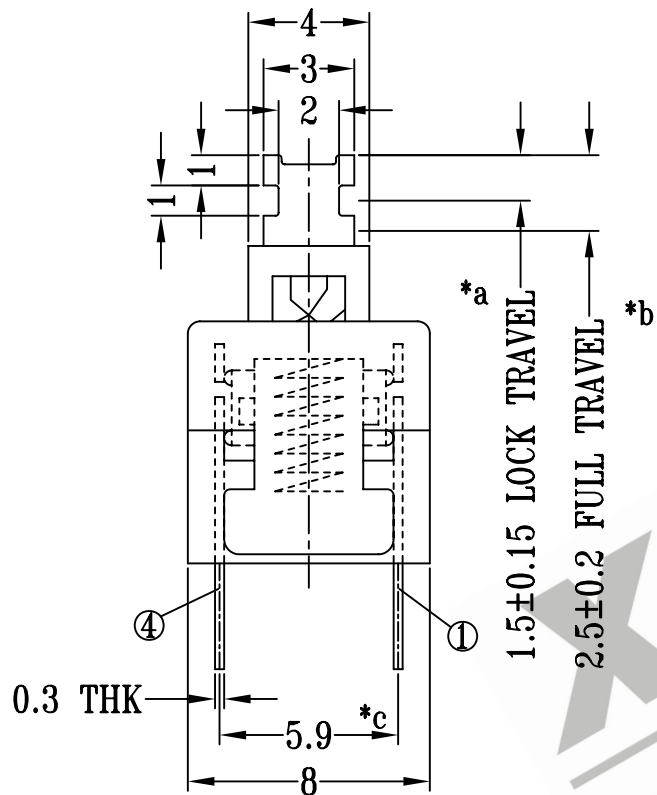


CAD FILE:



注:带"*"表示关键尺寸(6个)

NO.	PARTS	MATERIALS	Q'TY	FINISH	TOLERANCE UNLESS SPECIFIED	SHENZHEN XIEJIA ELECTRONICS CO.,LTD.				
8										
7										
6	SPRING	SEE SPRING CHART	1	NATURAL	WITHIN: 1.5±0.1mm	ISSUE	DATE	DESCRIPTIONS OF REVISION	APPD.	
5	CONTACT	PBS	2	Ag CLAD	OVER: 1.5±0.2mm					
4	CAM STICK	SUS WIRE	1	WASHING	TITLE : VERTICAL PUSH SWITCH		UNIT : mm	DRWG NO.: XJ-DR-PB22E08-00		
3	CASE	PBT+F.G+94V0/BRASS STRIP	1	BLACK/Ag PLATED OVER Ni PLATED	MODEL: PB-22E08		SCALE: 4:1	DWN.	ZHOUYU	2003-10-9
2	COVER	POM	1	WHITE	ALL MATERIALS MUST BE COMPLIANT TO ROHS			CHK'D	FANGYING	2003-10-9
1	KNOB	POM	1	BLUE/BLACK				APPD.	KANGXINAN	2003-10-9